



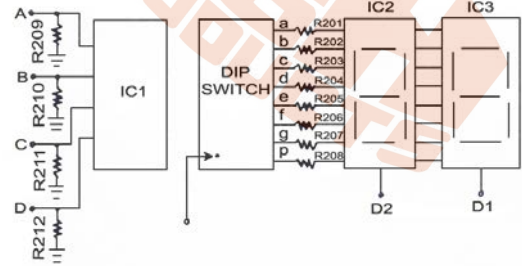
## IDL-800A Digital Lab



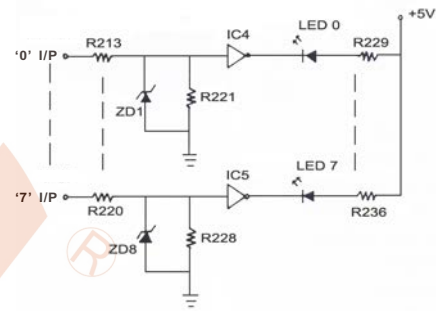
### Specification

- Solderless breadboard : AD-200  
Interconnected nickel plated contact socket with a total of 1896 tie points fits all components with DIP size and solid wire in diameter of AWG #22-30 (0.3 ~ 0.8 mm)
- DC power supply  
Variable DC power :  
Positive output voltage : 0 ~ +15V ±10%  
Negative output voltage : 0 ~ -15V ±10%  
Maximum output current : 300 mA.  
Line regulation : < 0.05% / V (Ta=25°C)  
Load regulation : < 30mV (Ta=25°C)  
Fixed power supply :  
Positive output voltage : +5V ±10%  
Maximum output current : 1 Amp.  
Line regulation : < 50mV.  
Load regulation : < 100mV.  
Negative output voltage : -5V ±10%  
Maximum output current : 100mA  
Line regulation : < 25mV.  
Load regulation : < 30mV.  
All DC power supplies with short circuit protection.
- Function generator :  
Frequency ranges : 0.1 Hz ~ 2 Hz  
(6 ranges)           1 Hz ~ 20 Hz  
                          10 Hz ~ 200 Hz  
                          100 Hz ~ 2 K Hz  
                          1K Hz ~ 20K Hz  
                          10K Hz ~ 200K Hz  
Sine wave output : 0 ~ 5 Vpp ±10% variable  
Triangle wave output : 0 ~ 5 Vpp ±10% variable  
Square wave output : 0 ~ 15 Vpp ±10% variable  
TTL mode output : +5V ±10%
- Digital voltmeter :  
3½ digits LED display.  
4 ranges: 0 ~ 199.9V full scale  
          0 ~ 19.99V full scale  
          0 ~ 1.999V full scale  
          0 ~ 199.9mV full scale  
Input impedance : 10MΩ for any range.
- Universal counter  
(1) Frequency range : 1Hz ~ 99.999999 MHz ;  
                          10Hz ~ 100.000000 MHz  
(2) Period range TH & TL : 0.01μs ~ 999999.99μs ;  
                                  1μs ~ 99999999μs  
(3) Input signal: TTL or CMOS level or any level (Vmin ≥ +2.3Vp ±10%)  
(4) Display : 8-digit 7-segment LED display  
(5) Counter switch : External / internal

- Two digits of 7 segment LED display :  
Common cathode operation



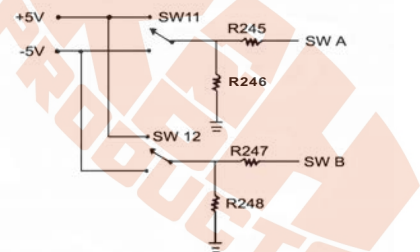
- Four point tip / banana socket / BNC socket exchange adapters
- Eight buffered LED displays :



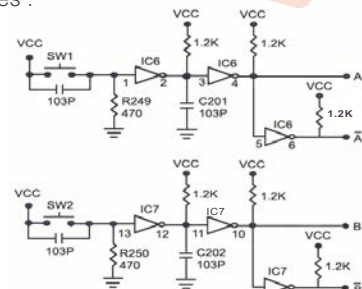
- Eight data switches :



- Two function switches :



- Two pulse switches :



- Dimensions : 420 x 360 x 200 mm (L x W x H)
- Weight : 4.2kg